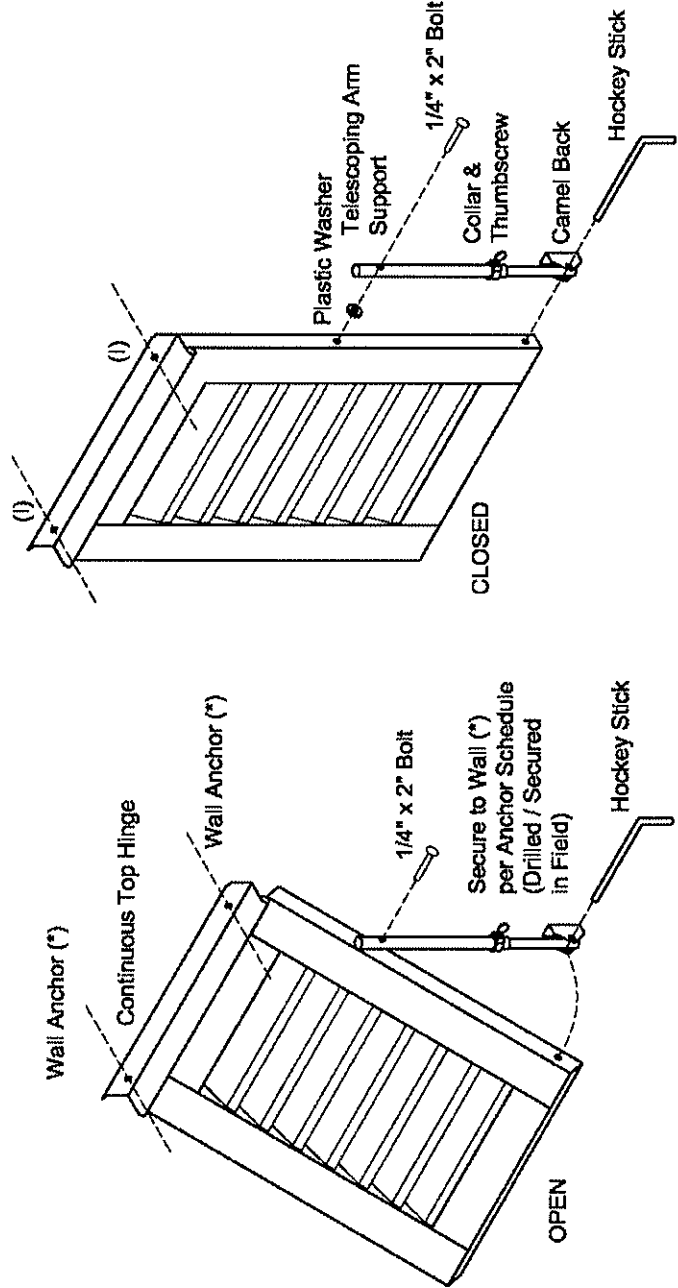
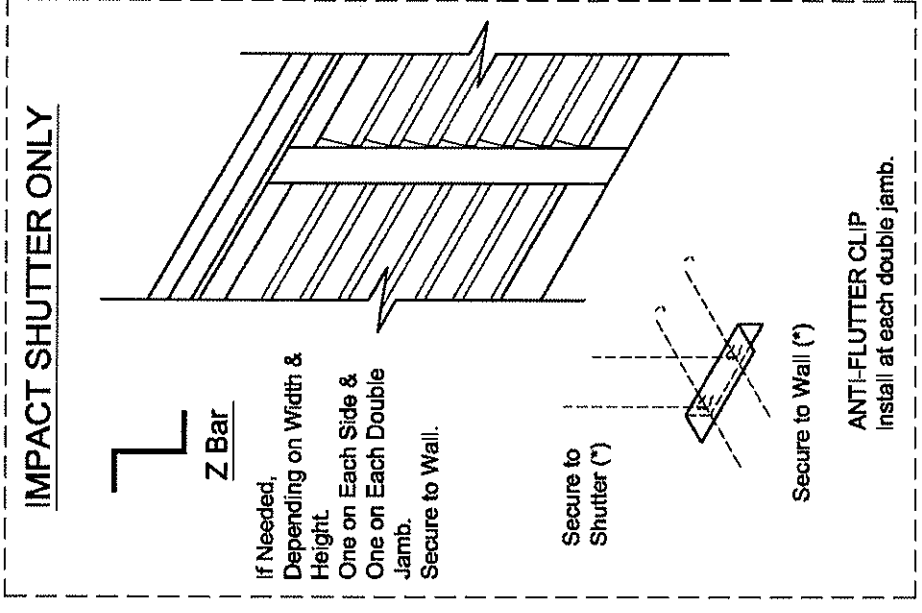


SUGGESTED INSTALLATION INSTRUCTIONS FOR BAHAMA SHUTTER

1. Lay the shutters out on a smooth plane (carpeted or grassy area) with front side up
2. Install arms with the ¼" nylon washer and 2" screws to the side of the shutter. Use collar and thumb screw to hold blade assembly together
3. Install camel back and hockey stick to arms
4. Drill 5/16" hole in center of top hinge and 12" on center at each side of the center hole. A screw must be placed within three inches of each side of the top hinge
5. Center Bahama vertically and horizontally on opening. If a sill exists, set Bahama on the sill and leave at least a 1/8" clearance at bottom
6. Fasten center hole on hinge first, then level and finish mounting
7. Set camel backs bottom edge to bottom side of shutter and fasten camel back to wall
8. Mark and drill hole in sides of shutter where camel back lines up
9. Impact shutters – mount Z bars around shutter. The Z bars are only used to lock down shutter in a storm
10. Non-Impact shutters - attach flutter bars to double jambs at the bottom of shutter if required
11. Open and set arms with thumbscrews
12. Wipe the shutter down with a wet clean cloth and mild soap



(*) Fasteners not included.

POMA™ Bahama Shutter
Refer to engineering data for fastening details.